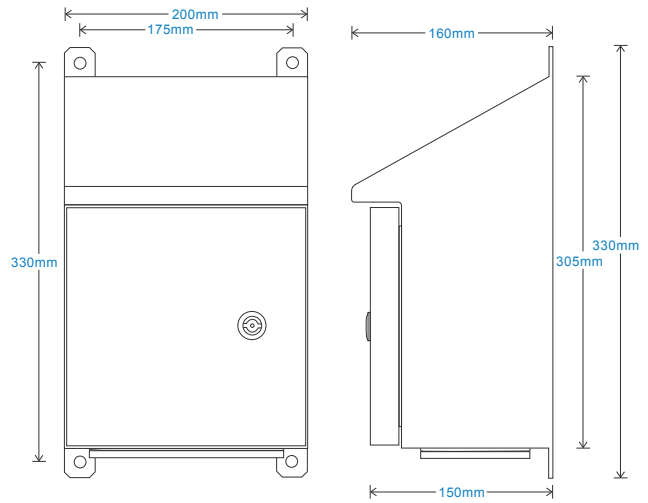


# HS-CE-SRM Connection Enclosure

Stainless Steel with protective roof

## Key Features

- Protective roof to stop dust and dirt settling
- Provides a terminal to take readings from accelerometers via a portable data-collector
- Multiple outputs via multiple connectors



## Technical Performance

Inputs	Via accelerometer	Door	Lock and polyamide key
Output	BNC as standard (TNC as alternative)	Glanding	Glands supplied but not fitted
Mounting Board	PCB Panel	Holes are punched for:	
Material	304 Stainless Steel	Single input M12 - $\varnothing$ 3.5-7mm cable	
Dimensions	see: 'How To Order' table	Single input M20 - $\varnothing$ 7-13mm multi-core cable	
Sealing	IP65	Multi input M20 - 3 x $\varnothing$ 5.3mm	
Termination	Spring-loaded terminal (no screwdriver required)	Labelling	Channel locations - other labelling available upon request
		Mounting	supplied are 4 x Brackets
		EMC	EN61326-1:2013

## How To Order

