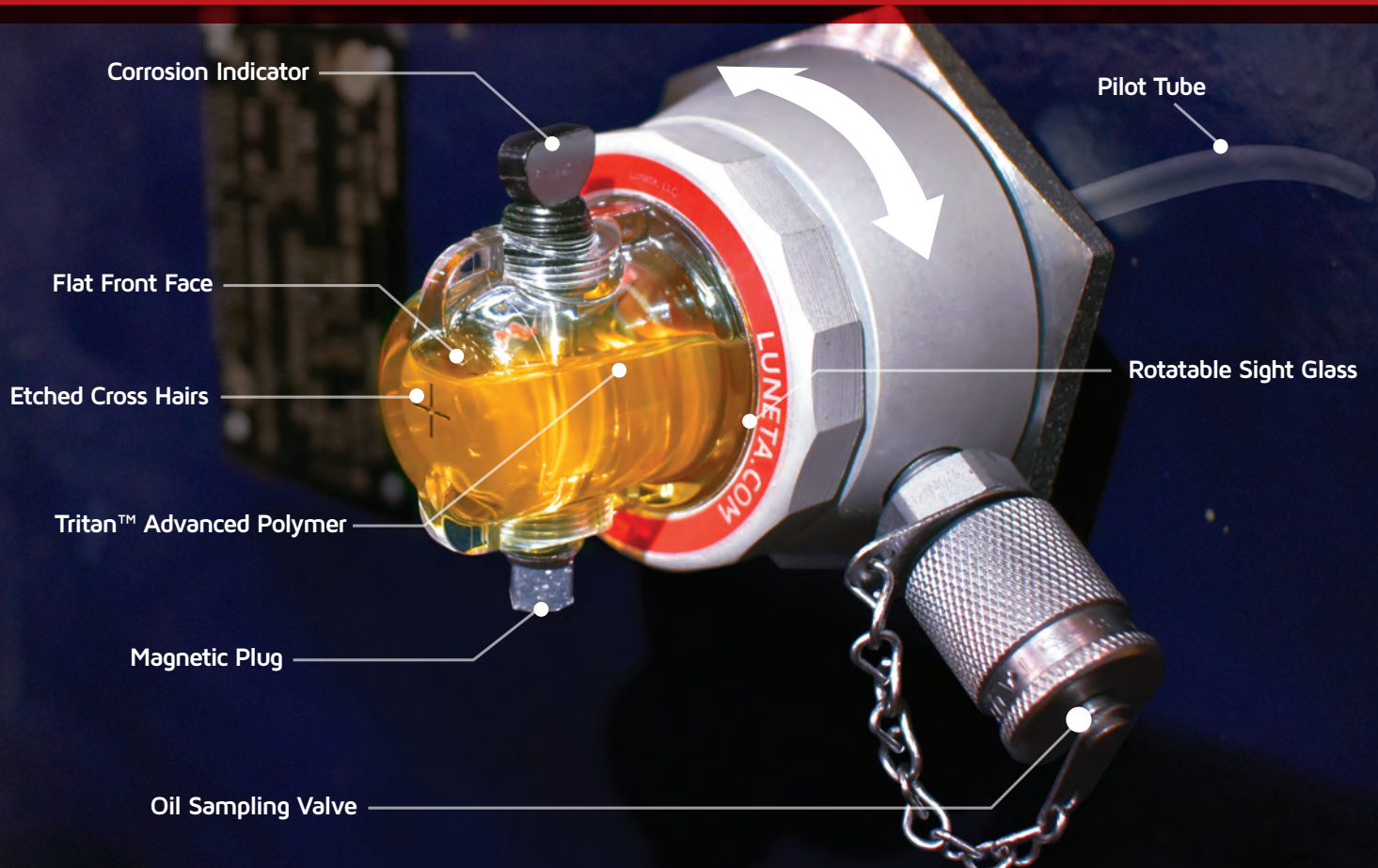


THE CMP



The Condition Monitoring Pod® (CMP®) is a patented multiparameter inspection tool that modernizes and expands daily one-minute inspections. The CMP provides a nearly 360° view of the oil thanks to the ultra-durable, crystal-clear and chemically resistant Tritan™ material. The flat front face is designed for application of a pen light or camera for closer inspection and analysis. A visible corrosion indicator signals when the oil's chemistry has changed and begun to attack vulnerable metals. A visible magnetic plug is also provided to capture and display ferrous wear debris. Both the corrosion indicator and magnetic plug are removable for further inspection thanks to a rotatable sight glass. And lastly, if lab testing of the oil is required, the CMP has a built-in sampling valve with an attached pilot tube for live-zone sampling.



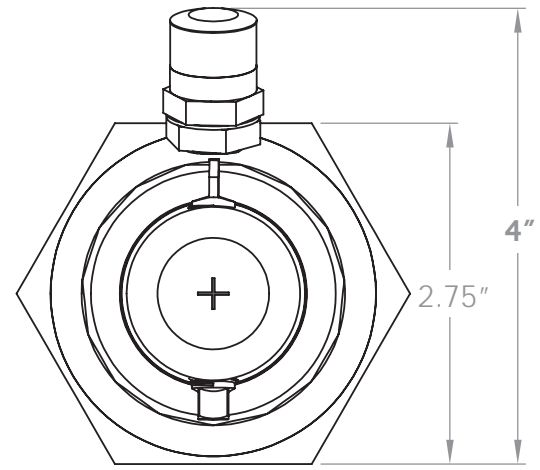
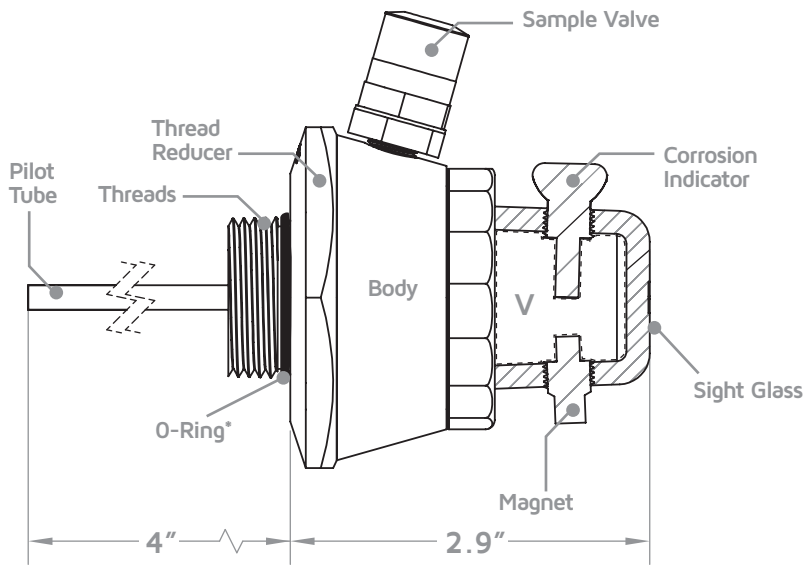
Pulling an Oil Sample

Mooring Winch - Ocean Dredger

Screw Pump - Bottling Plant

Available Male Thread Size:

NPT 1/2", 3/4", 1", 1-1/4", 1-1/2" and 2"; BSPP 1/2", 3/4", 1-1/4", 1-1/2" and 2"; BSPT 1/2" and 2"
METRIC 20x1.5, 22x1.5, 24x1.5, 26x1.5, 27x1.5, 30x2.0, 33x1.5, 36x1.5, 41x1.5, 42x2.0, 42x1.5



V - Volume

SPECIFICATIONS

- **Application:** Oil level ports
- **Volume:** See table
- **Threads:** Varies (see table)
- **Dimensions:** 2.9" L x 2.75" W x 4" H
- **Shipping Weight:** 1.2 lbs.
- **Recommended Temperature:** -40°F to 200°F (-40°C to 93°C)
- **Recommended Pressure:** Low pressure applications
- **Sampling/Drain Valves:** Standard flow sampling valve (M16x2)
- **Materials:** **Sight Glass:** Tritan™ (a patented, crystal clear and chemically resistant material); **Body:** anodized aluminum; **Magnet:** strong neodymium rare earth magnet; **Thread Reducer:** zinc-plated and stainless steel; **Pilot Tube:** stainless steel; **Sampling Valve:** zinc-plated steel; **O-Rings:** Viton™; **Gasket:** Viton™
- **Outdoor Compatibility:** UV-resistant to protect against long-term sun exposure
- **Chemical Compatibility:** Resistant to mineral and synthetic oils that are compatible with fluorocarbon elastomers (Viton™) and PMMA (acrylic) plastic
- **Includes:** Tritan™ sight glass, Standard flow sampling valve with pilot tube, steel reducer, aluminum body, magnetic plug, steel corrosion indicator and Viton™ Gasket

THREADS	PART NUMBER	V
1/2" NPT	CMPOD.050NPT	.17 fl.oz.
3/4" NPT	CMPOD.075NPT	.29 fl.oz.
1" NPT	CMPOD.100NPT	.58 fl.oz.
1-1/4" NPT	CMPOD.125NPT	.58 fl.oz.
1-1/2" NPT	CMPOD.150NPT	.58 fl.oz.
2" NPT	CMPOD.200NPT	.58 fl.oz.
1/2" BSPP	CMPOD.050BSPP	.17 fl.oz.
1/2" BSPT	CMPOD.050BSPT	.17 fl.oz.
3/4" BSPP	CMPOD.075BSPP	.29 fl.oz.
1" BSPP	CMPOD.100BSPP	.58 fl.oz.
1-1/4" BSPP	CMPOD.125BSPP	.58 fl.oz.
1-1/2" BSPP	CMPOD.150BSPP	.58 fl.oz.
2" BSPP	CMPOD.200BSPP	.58 fl.oz.
2" BSPT	CMPOD.200BSPT	.58 fl.oz.
M20x1.5	CMPOD.M2015	.17 fl.oz.
M22x1.5	CMPOD.M2215	.17 fl.oz.
M24x1.5	CMPOD.M2415	.17 fl.oz.
M26x1.5	CMPOD.M2615	.29 fl.oz.
M27x1.5	CMPOD.M2715	.29 fl.oz.
M30x2.0	CMPOD.M3020	.29 fl.oz.
M33x1.5	CMPOD.M3315	.58 fl.oz.
M36x1.5	CMPOD.M3615	.58 fl.oz.
M41x1.5	CMPOD.M4115	.58 fl.oz.
M42x2.0	CMPOD.M4220	.58 fl.oz.
M42x1.5	CMPOD.M4215	.58 fl.oz.

ACCESSORIES



Standard Flow Sampling Kit
SAMPLINGKIT.STD



Silicone CMP Cover
COVER.POD

*O-rings are included with BSPP and Metric sizes only.