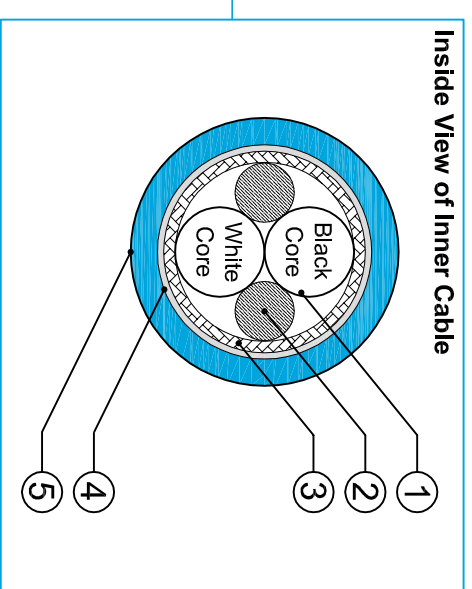
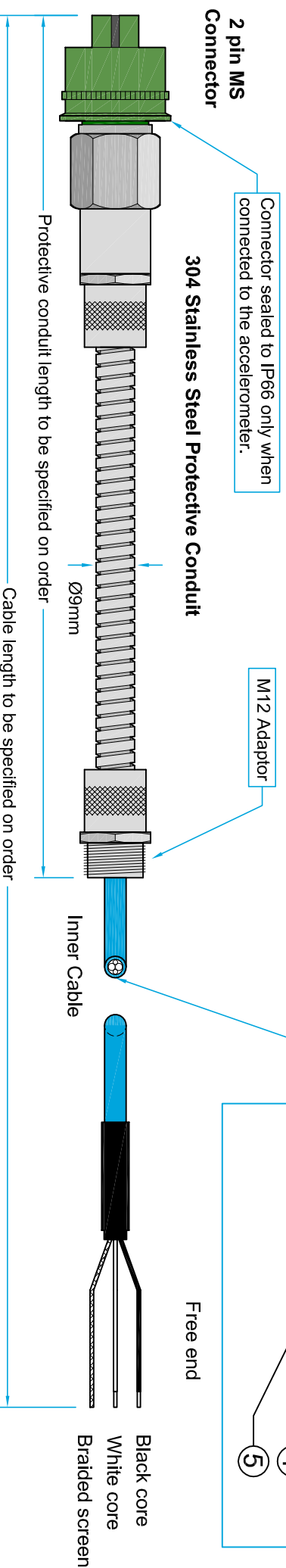
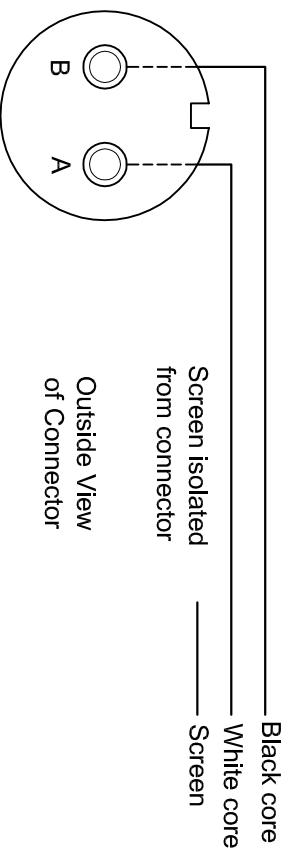


### Connection Details of Cable Assembly



**Environment Specification of Cable Assembly**  
 Maximum operating temperature of 150°C with high levels of resistance to chemical attack.

Materials of Cable: C01-024 FR Polyurethane Cable

Pos	Description	Dimension	Overall Diameter	Remarks
1.	Tin plated copper conductor insulation of ETFE	24 AWG	0,60 1,14	19 x 0,13
2.	Solid LT filler		0,6	
3.	Braided screen of tin plated copper		0,10mm	2,8 Optimised: 90% min
4.	Non woven polyester binder		3,0	
5.	Jacket of FR Polyurethane cable, Blue Pressure-extruded round		0,60mm	4,2 Nominal OD Minimum OD 4,0

Technical Data of Cable	
<b>Technical Data</b>	<b>Values at 20°C</b>
Conductor Resistance	86,0 Ω / km
Insulation Resistance	>1500 MΩ x km
Test Voltage	3 kV DC
Voltage Rating	600 V AC
Capacitance	Core-core: 88 nF / km Core-screen: 158 nF / km
Impedance	Core-core: 56 Ω Core-screen: 31 Ω
Inductance	0,715 μH / m
Radiation Tolerance	2x 10 E5 Gy
Weight	24,5 g / m
Temperature Rating	-40 / +100 °C