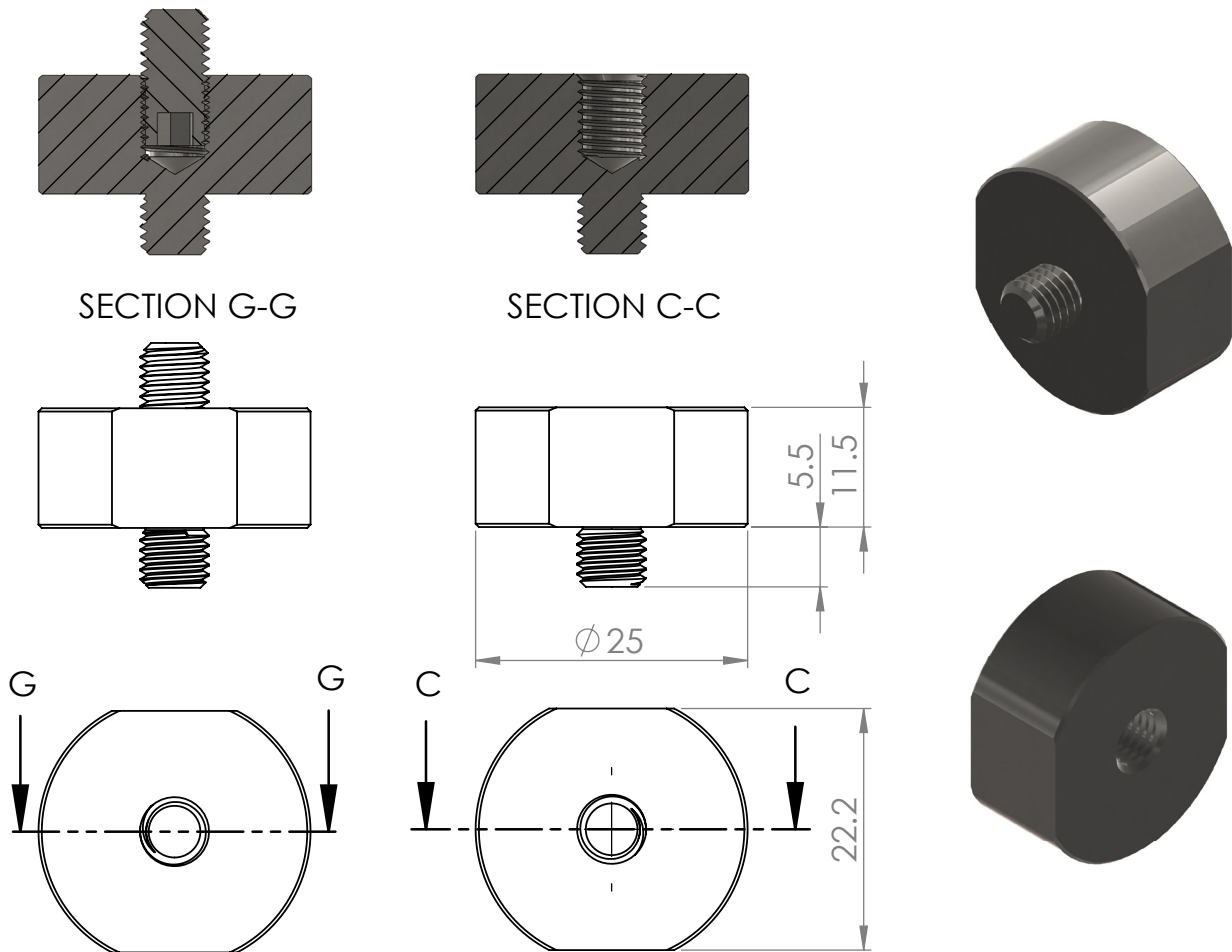


22.2mm AF Pad with Male Thread Base
431 Magnetic Stainless Steel

GLUMAG GVS-MP11



PART NO.	DESCRIPTION	BASE THREAD	
GVS-MP1114-xx	22.2mm AF, 11.5mm Head Thickness	1/4"-28UNF	Male
GVS-MP1106-xx	22.2mm AF, 11.5mm Head Thickness	M6	Male
GVS-MP1108-xx	22.2mm AF, 11.5mm Head Thickness	M8	Male
GVS-MP1110-xx	22.2mm AF, 11.5mm Head Thickness	M10	Male
GVS-MP1112-xx	22.2mm AF, 11.5mm Head Thickness	M12	Male

XX	SENSOR MOUNT THREAD	
01	1/4"-28UNF	Female
02	1/4"-28UNF	Male
03	M6	Female
04	M6	Male
05	M8	Female
06	M8	Male

CONTACT: SALES

TEL + 61 (0) 2 4925 2701
 FAX + 61 (0) 2 4925 2703
 MAIL sales@gvsensors.com.au
 WEB www.gvsensors.com.au

Good Vibrations Sensors Pty Ltd
 Suite 3G, Level 3,
 41-45 Hunter Street,
 Newcastle, NSW, 2300.

