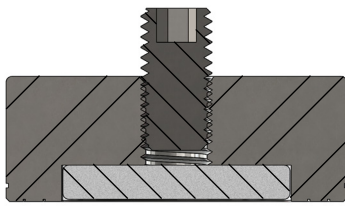
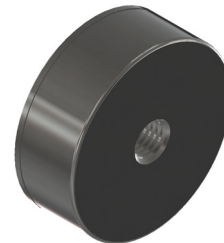
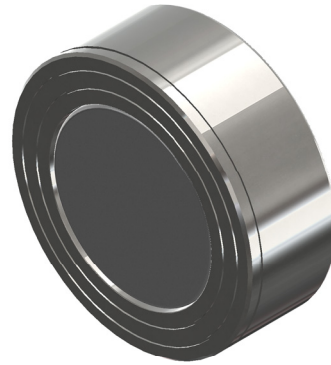
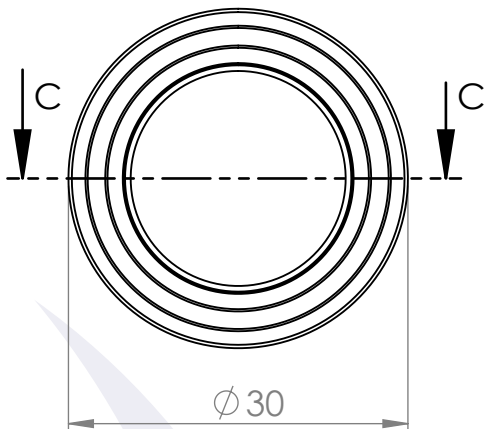
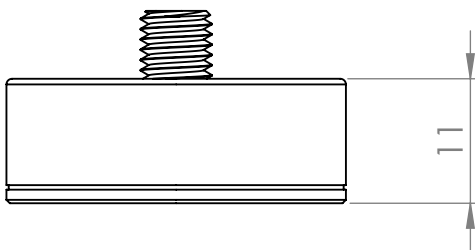


30mm dia Flat Base GluMag Holding Magnet
431 Magnetic Stainless Steel Case

GLUMAG GVS-HM10



SECTION C-C



PART NO.	DESCRIPTION		
GVS-HM10-01	30mm dia, 11mm High, GluMag Base, Holding Magnet	1/4"-28UNF	Female
GVS-HM10-02	30mm dia, 11mm High, GluMag Base, Holding Magnet	1/4"-28UNF	Male
GVS-HM10-03	30mm dia, 11mm High, GluMag Base, Holding Magnet	M6	Female
GVS-HM10-04	30mm dia, 11mm High, GluMag Base, Holding Magnet	M6	Male
GVS-HM10-05	30mm dia, 11mm High, GluMag Base, Holding Magnet	M8	Female
GVS-HM10-06	30mm dia, 11mm High, GluMag Base, Holding Magnet	M8	Male

CONTACT: SALES

TEL + 61 (0) 2 4925 2701
 FAX + 61 (0) 2 4925 2703
 MAIL sales@gvsensors.com.au
 WEB www.gvsensors.com.au

Good Vibrations Sensors Pty Ltd
 Suite 3G, Level 3,
 41-45 Hunter Street,
 Newcastle, NSW, 2300.

