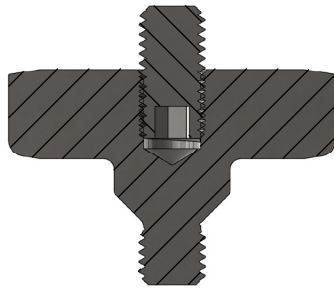
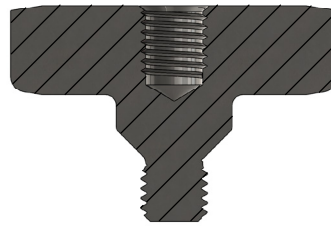


31mm dia, 27mm AF, M8 SP Taper Base Mounting Pad  
431 Magnetic Stainless Steel

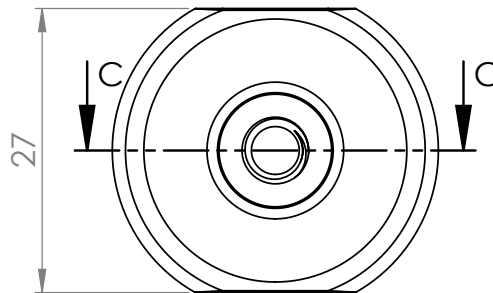
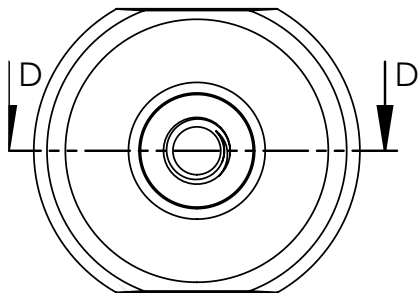
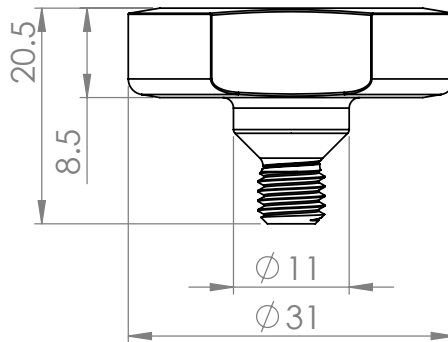
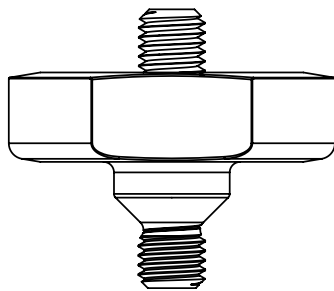
GLUMAG GVS-MP31SP



SECTION D-D



SECTION C-C



PART NO.	DESCRIPTION	SENSOR MOUNT	
GVS-MP31SP-14-01	31mm dia, 27mm AF, 1/4"-28UNF SP Base	1/4"-28UNF	Female
GVS-MP31SP-14-02	31mm dia, 27mm AF, 1/4"-28UNF SP Base	1/4"-28UNF	Male
GVS-MP31SP-14-03	31mm dia, 27mm AF, 1/4"-28UNF SP Base	M6	Female
GVS-MP31SP-14-04	31mm dia, 27mm AF, 1/4"-28UNF SP Base	M6	Male
GVS-MP31SP-14-05	31mm dia, 27mm AF, 1/4"-28UNF SP Base	M8	Female
GVS-MP31SP-14-06	31mm dia, 27mm AF, 1/4"-28UNF SP Base	M8	Male
GVS-MP31SP-08-01	31mm dia, 27mm AF, M8 SP Base	1/4"-28UNF	Female
GVS-MP31SP-08-02	31mm dia, 27mm AF, M8 SP Base	1/4"-28UNF	Male
GVS-MP31SP-08-03	31mm dia, 27mm AF, M8 SP Base	M6	Female
GVS-MP31SP-08-04	31mm dia, 27mm AF, M8 SP Base	M6	Male
GVS-MP31SP-08-05	31mm dia, 27mm AF, M8 SP Base	M8	Female
GVS-MP31SP-08-06	31mm dia, 27mm AF, M8 SP Base	M8	Male

CONTACT: SALES

TEL + 61 (0) 2 4925 2701  
 FAX + 61 (0) 2 4925 2703  
 MAIL sales@gvsensors.com.au  
 WEB www.gvsensors.com.au

Good Vibrations Sensors Pty Ltd  
 Suite 3G, Level 3,  
 41-45 Hunter Street,  
 Newcastle, NSW, 2300.

