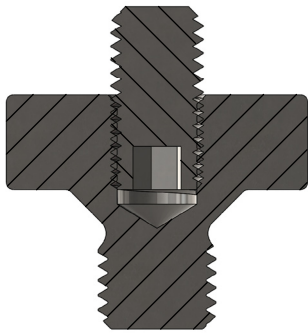
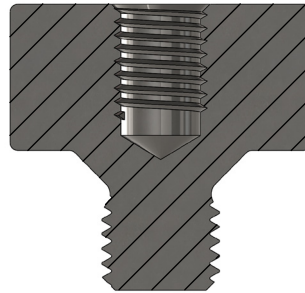


20.5mm dia, 18mm AF Taper Base Mounting Pad  
431 Magnetic Stainless Steel

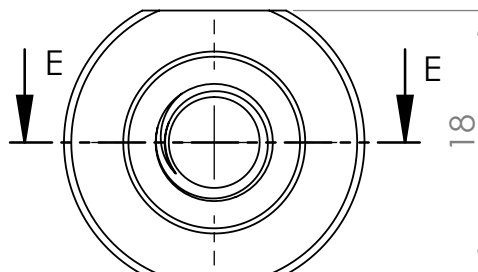
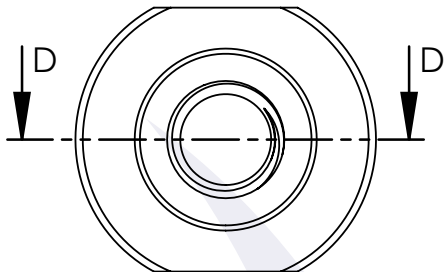
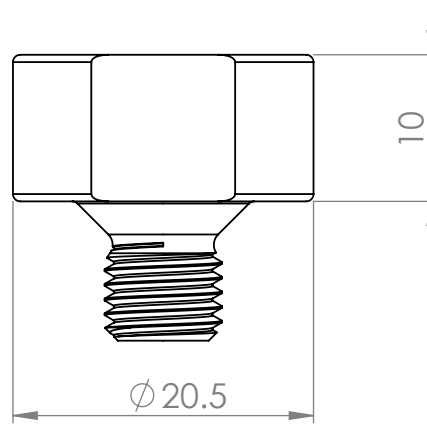
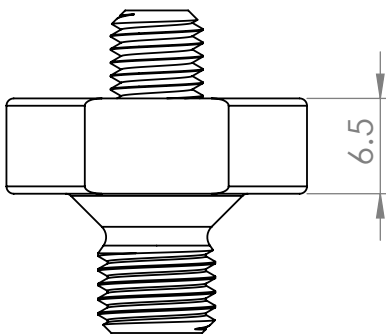
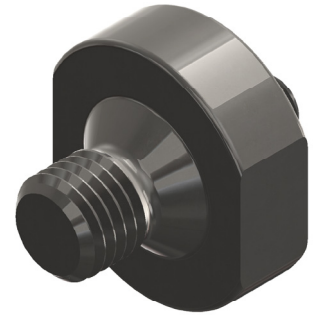
GLUMAG GVS-MP24HT



SECTION D-D



SECTION E-E



PART NO.	DESCRIPTION	SENSOR MOUNT	
GVS-MP24HT-01	20.5mm dia, 18mm AF, M8 Taper Base Mounting Pad	1/4"-28UNF	Female
GVS-MP24HT-02	20.5mm dia, 18mm AF, M8 Taper Base Mounting Pad	1/4"-28UNF	Male
GVS-MP24HT-03	20.5mm dia, 18mm AF, M8 Taper Base Mounting Pad	M6	Female
GVS-MP24HT-04	20.5mm dia, 18mm AF, M8 Taper Base Mounting Pad	M6	Male
GVS-MP24HT-05	20.5mm dia, 18mm AF, M8 Taper Base Mounting Pad	M8	Female
GVS-MP24HT-06	20.5mm dia, 18mm AF, M8 Taper Base Mounting Pad	M8	Male

CONTACT: SALES

TEL + 61 (0) 2 4925 2701  
FAX + 61 (0) 2 4925 2703  
MAIL sales@gvsensors.com.au  
WEB www.gvsensors.com.au

Good Vibrations Sensors Pty Ltd  
Suite 3G, Level 3,  
41-45 Hunter Street,  
Newcastle, NSW, 2300.

