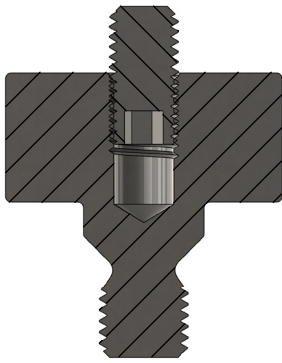
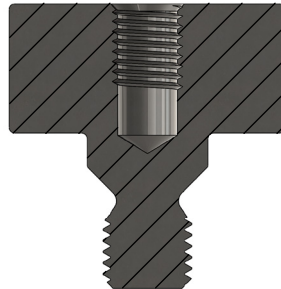


25mm dia, 22.2mm AF,
M8 SP Taper Base Mounting Base Pad
431 Magnetic Stainless Steel

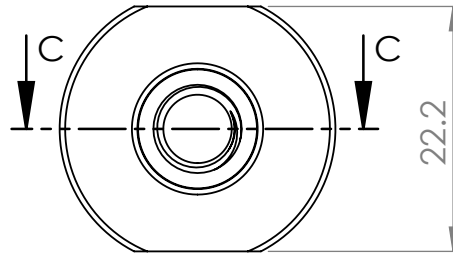
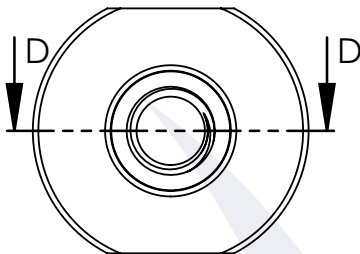
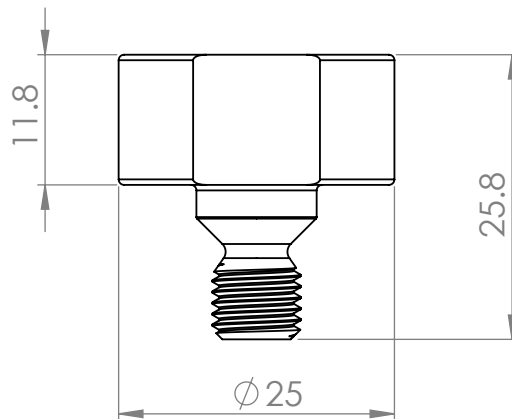
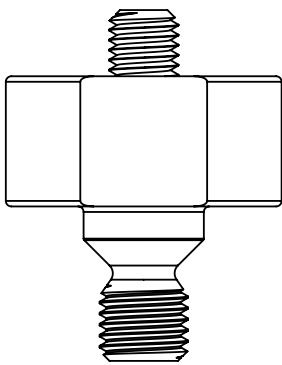
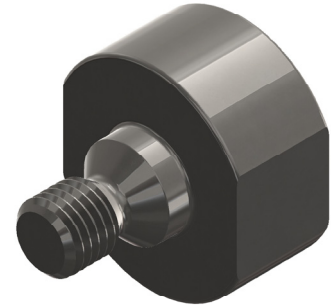
GLUMAG GVS-MP11SP



SECTION D-D



SECTION C-C



PART NO.	DESCRIPTION	SENSOR MOUNT	
GVS-MP11SP-01	25mm dia, 22.2mm AF, M8 SP Base	1/4"-28UNF	Female
GVS-MP11SP-02	25mm dia, 22.2mm AF, M8 SP Base	1/4"-28UNF	Male
GVS-MP11SP-03	25mm dia, 22.2mm AF, M8 SP Base	M6	Female
GVS-MP11SP-04	25mm dia, 22.2mm AF, M8 SP Base	M6	Male
GVS-MP11SP-05	25mm dia, 22.2mm AF, M8 SP Base	M8	Female
GVS-MP11SP-06	25mm dia, 22.2mm AF, M8 SP Base	M8	Male

CONTACT: SALES

TEL + 61 (0) 2 4925 2701
 FAX + 61 (0) 2 4925 2703
 MAIL sales@gvsensors.com.au
 WEB www.gvsensors.com.au

Good Vibrations Sensors Pty Ltd
 Suite 3G, Level 3,
 41-45 Hunter Street,
 Newcastle, NSW, 2300.

