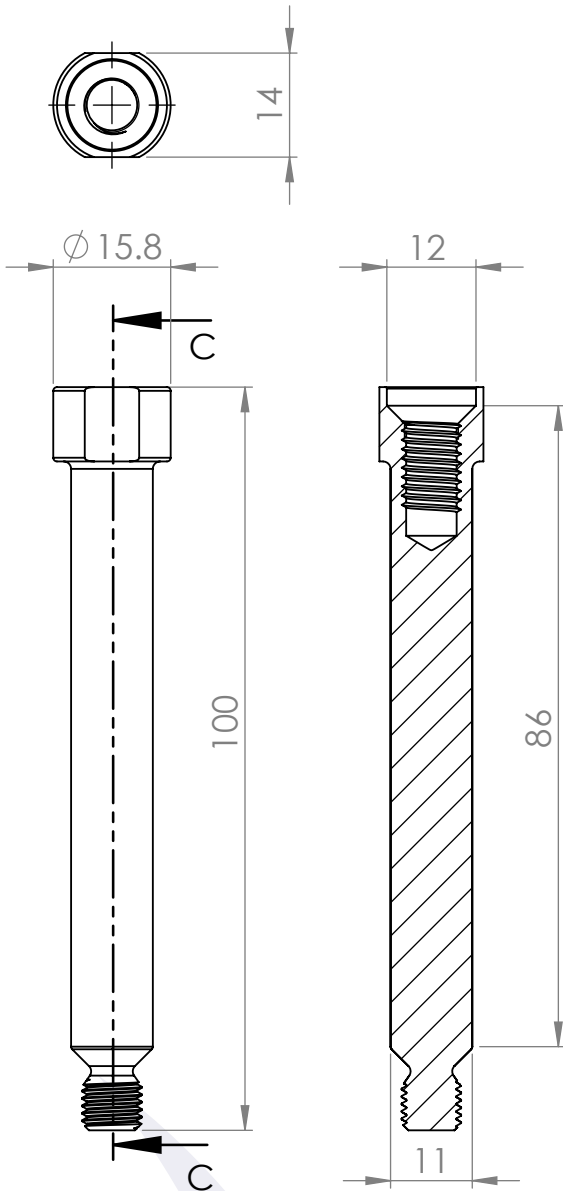


100mm Extension for GVSMP11SP,
M8 SP Base
Stainless Steel

GLUMAG
GVS-MP11-SPEX100



SECTION C-C



PART NO.	DESCRIPTION	
GVS-MP11-SPEX100	100mm Extension for GVS-MP11SP	M8 SP base

CONTACT: SALES

TEL + 61 (0) 2 4925 2701
 FAX + 61 (0) 2 4925 2703
 MAIL sales@gvsensors.com.au
 WEB www.gvsensors.com.au

Good Vibrations Sensors Pty Ltd
 Suite 3G, Level 3,
 41-45 Hunter Street,
 Newcastle, NSW, 2300.

