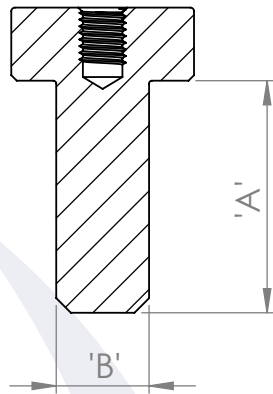
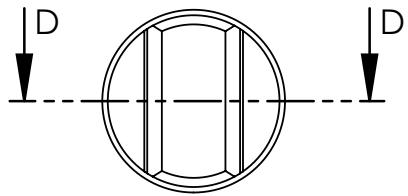
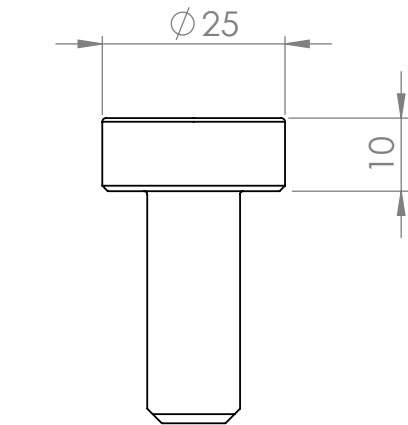
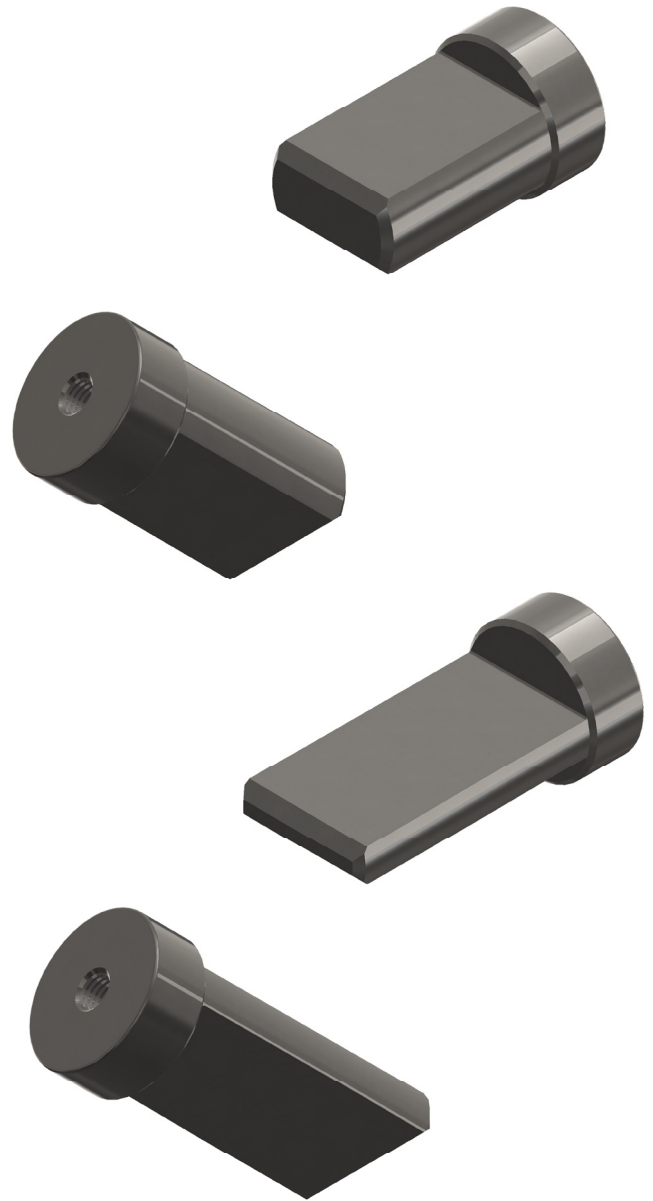


25mm dia Motor Fin Mounting Pad
431 Magnetic Stainless Steel

GLUMAG GVS-MF205



SECTION D-D



PART NO.	DESCRIPTION			A	B
GVS-MF205-01	Motor Fin Pad, 25mm dia Head, 1.25" x 0.50" Shank	1/4"-28UNF	Female	31.75	12.7
GVS-MF205-02	Motor Fin Pad, 25mm dia Head, 2.00" x 0.50" Shank	1/4"-28UNF	Female	50.8	12.7
GVS-MF205-03	Motor Fin Pad, 25mm dia Head, 1.75" x 0.25" Shank	1/4"-28UNF	Female	44.45	6.35
GVS-MF205-04	Motor Fin Pad, 25mm dia Head, 1.00" x 0.25" Shank	1/4"-28UNF	Female	25.4	6.35

CONTACT: SALES

TEL + 61 (0) 2 4925 2701
 FAX + 61 (0) 2 4925 2703
 MAIL sales@gvsensors.com.au
 WEB www.gvsensors.com.au

Good Vibrations Sensors Pty Ltd
 Suite 3G, Level 3,
 41-45 Hunter Street,
 Newcastle, NSW, 2300.

