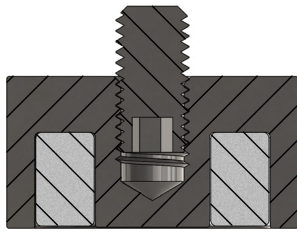
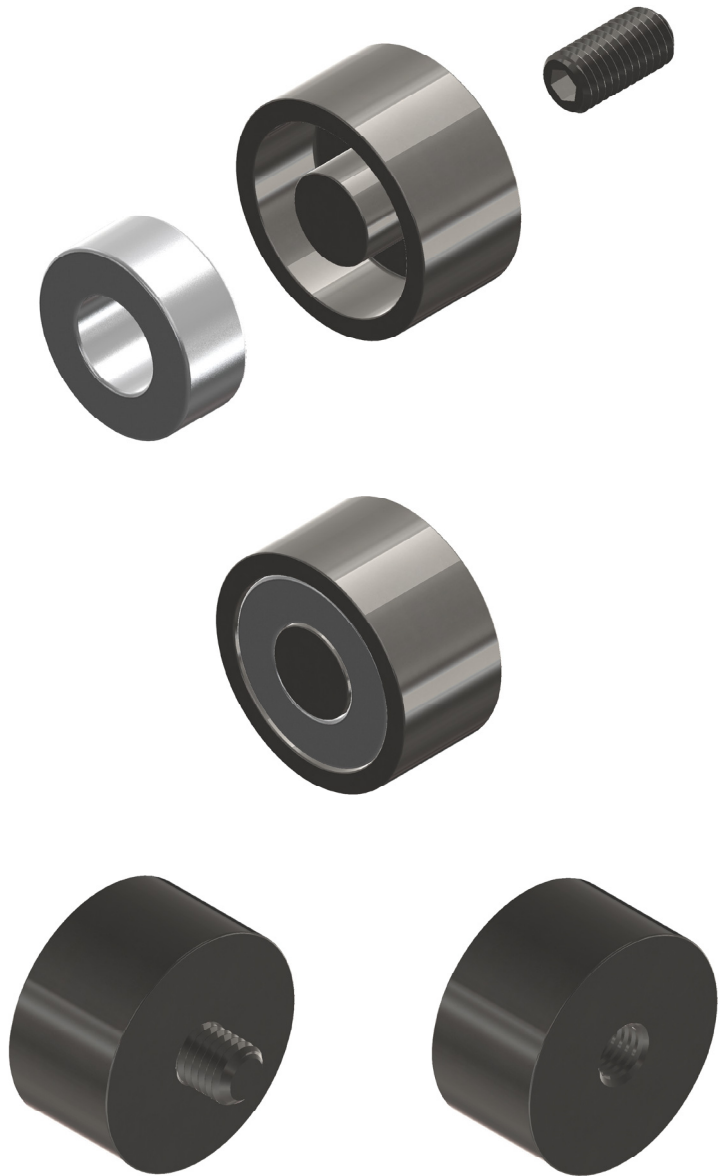
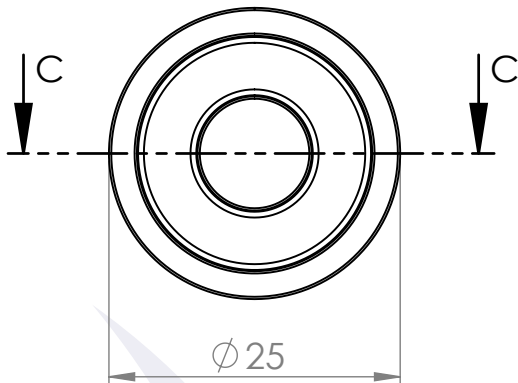
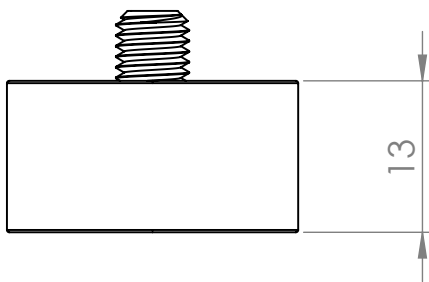


25mm dia Budget Portable Data Collection Magnet  
 16kg Nominal Hold Strength  
 431 Magnetic Stainless Steel

GLUMAG GVS-HM19



SECTION C-C



PART NO.	DESCRIPTION		
GVS-HM19FL-01	25mm dia, Flat Base, 13mm High, Data Collection Magnet	1/4"-28UNF	Female
GVS-HM19FL-02	25mm dia, Flat Base, 13mm High, Data Collection Magnet	1/4"-28UNF	Male
GVS-HM19FL-03	25mm dia, Flat Base, 13mm High, Data Collection Magnet	M6	Female
GVS-HM19FL-04	25mm dia, Flat Base, 13mm High, Data Collection Magnet	M6	Male
GVS-HM19FL-05	25mm dia, Flat Base, 13mm High, Data Collection Magnet	M8	Female
GVS-HM19FL-06	25mm dia, Flat Base, 13mm High, Data Collection Magnet	M8	Male

CONTACT: SALES

TEL + 61 (0) 2 4925 2701  
 FAX + 61 (0) 2 4925 2703  
 MAIL sales@gvsensors.com.au  
 WEB www.gvsensors.com.au

Good Vibrations Sensors Pty Ltd  
 Suite 3G, Level 3,  
 41-45 Hunter Street,  
 Newcastle, NSW, 2300.

