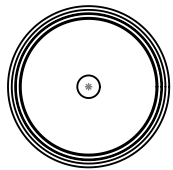
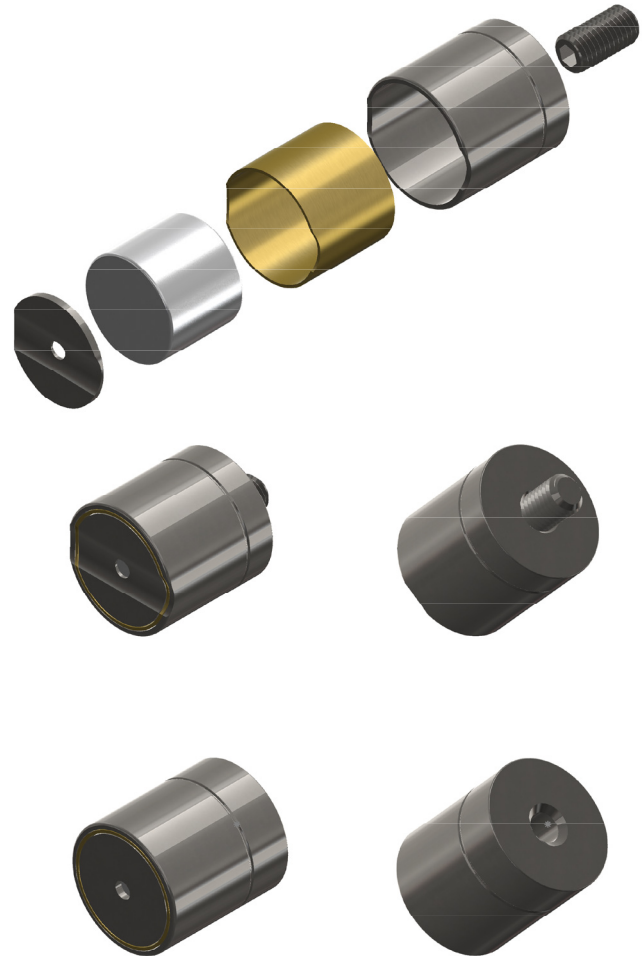
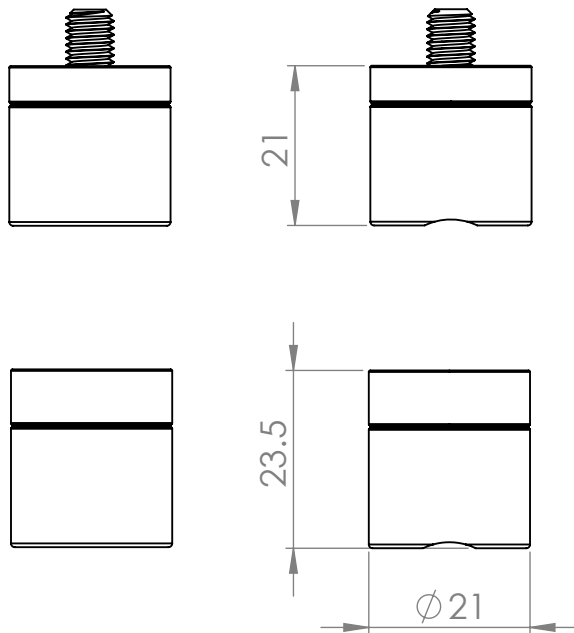
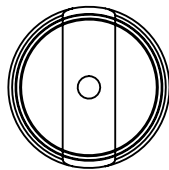


**21mm dia Compact Data Collection Magnet**  
**13kg Nominal Hold Strength**  
**431 Magnetic Stainless Steel Case**

**GLUMAG** GVS-HM09



GVS-HM09FL-XX



GVS-HM092F-XX

PART NO.	DESCRIPTION		
GVS-HM09FL-01	21mm dia, Flat Base Compact Data Collection Magnet	1/4"-28UNF	Female
GVS-HM09FL-02	21mm dia, Flat Base Compact Data Collection Magnet	1/4"-28UNF	Male
GVS-HM09FL-03	21mm dia, Flat Base Compact Data Collection Magnet	M6	Female
GVS-HM09FL-04	21mm dia, Flat Base Compact Data Collection Magnet	M6	Male
GVS-HM09FL-05	21mm dia, Flat Base Compact Data Collection Magnet	M8	Female
GVS-HM09FL-06	21mm dia, Flat Base Compact Data Collection Magnet	M8	Male
GVS-HM09FL-08	21mm dia, Flat Base Compact Data Collection Magnet	10-32 UNF	Male
GVS-HM092F-01	21mm dia, 2 Foot Slot Base Compact Data Collection Magnet	1/4"-28UNF	Female
GVS-HM092F-02	21mm dia, 2 Foot Slot Base Compact Data Collection Magnet	1/4"-28UNF	Male
GVS-HM092F-03	21mm dia, 2 Foot Slot Base Compact Data Collection Magnet	M6	Female
GVS-HM092F-04	21mm dia, 2 Foot Slot Base Compact Data Collection Magnet	M6	Male
GVS-HM092F-05	21mm dia, 2 Foot Slot Base Compact Data Collection Magnet	M8	Female
GVS-HM092F-06	21mm dia, 2 Foot Slot Base Compact Data Collection Magnet	M8	Male
GVS-HM092F-08	21mm dia, 2 Foot Slot Base Compact Data Collection Magnet	10-32 UNF	Male

**CONTACT: SALES**

**TEL** + 61 (0) 2 4925 2701  
**FAX** + 61 (0) 2 4925 2703  
**MAIL** sales@gvsensors.com.au  
**WEB** www.gvsensors.com.au

**Good Vibrations Sensors Pty Ltd**  
 Suite 3G, Level 3,  
 41-45 Hunter Street,  
 Newcastle, NSW, 2300.

