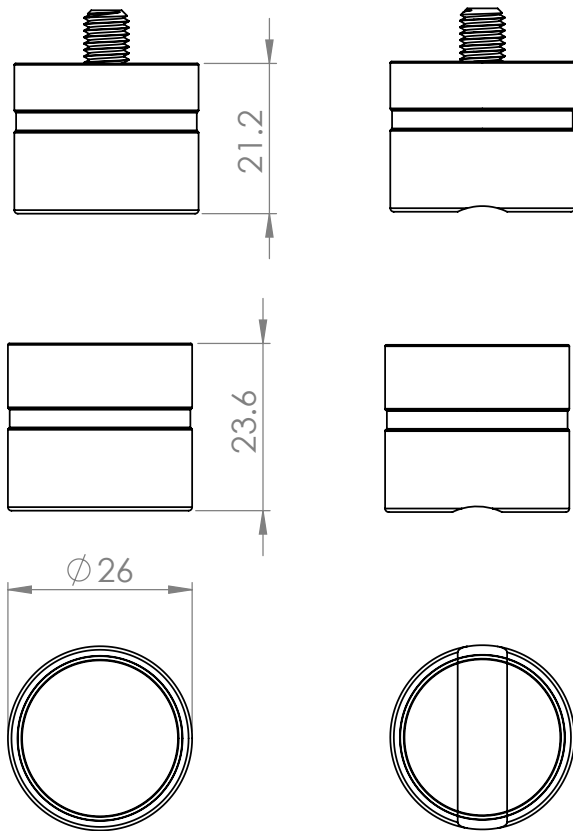


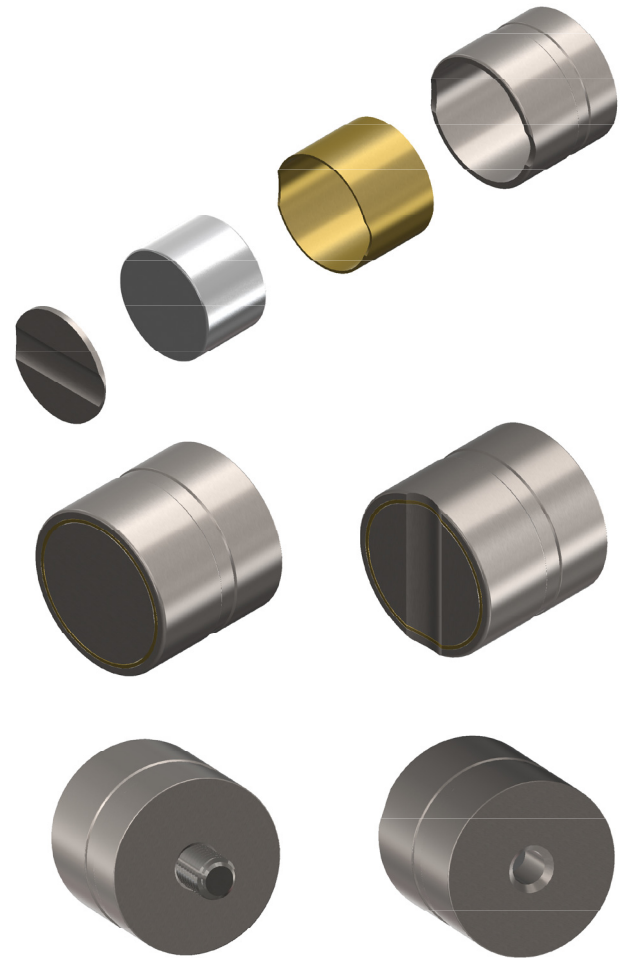
26mm dia Data Collection Magnet
18kg Nominal Hold
431 Magnetic Stainless Steel Case

GLUMAG GVS-HM08



GVS-HM08FL-XX

GVS-HM082F-XX



PART NO.	DESCRIPTION		
GVS-HM08FL-01	26mm dia, Flat Base Data Collection Magnet	1/4"-28UNF	Female
GVS-HM08FL-02	26mm dia, Flat Base Data Collection Magnet	1/4"-28UNF	Male
GVS-HM08FL-03	26mm dia, Flat Base Data Collection Magnet	M6	Female
GVS-HM08FL-04	26mm dia, Flat Base Data Collection Magnet	M6	Male
GVS-HM08FL-05	26mm dia, Flat Base Data Collection Magnet	M8	Female
GVS-HM08FL-06	26mm dia, Flat Base Data Collection Magnet	M8	Male
GVS-HM08FL-07	26mm dia, Flat Base Data Collection Magnet	M5	Male
GVS-HM08FL-08	26mm dia, Flat Base Data Collection Magnet	10-32 UNF	Male
GVS-HM082F-01	26mm dia, 2 Foot Slot Base Data Collection Magnet	1/4"-28UNF	Female
GVS-HM082F-02	26mm dia, 2 Foot Slot Base Data Collection Magnet	1/4"-28UNF	Male
GVS-HM082F-03	26mm dia, 2 Foot Slot Base Data Collection Magnet	M6	Female
GVS-HM082F-04	26mm dia, 2 Foot Slot Base Data Collection Magnet	M6	Male
GVS-HM082F-05	26mm dia, 2 Foot Slot Base Data Collection Magnet	M8	Female
GVS-HM082F-06	26mm dia, 2 Foot Slot Base Data Collection Magnet	M8	Male
GVS-HM082F-07	26mm dia, 2 Foot Slot Base Data Collection Magnet	M5	Male
GVS-HM082F-08	26mm dia, 2 Foot Slot Base Data Collection Magnet	10-32 UNF	Male

CONTACT: SALES

TEL + 61 (0) 2 4925 2701
 FAX + 61 (0) 2 4925 2703
 MAIL sales@gvsensors.com.au
 WEB www.gvsensors.com.au

Good Vibrations Sensors Pty Ltd
 Suite 3G, Level 3,
 41-45 Hunter Street,
 Newcastle, NSW, 2300.

